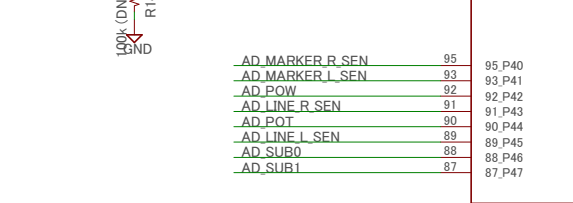
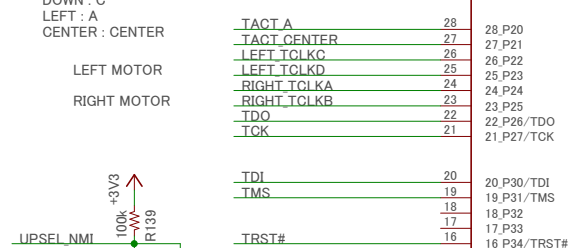
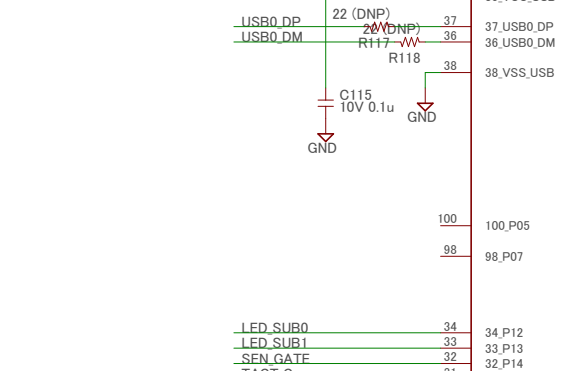
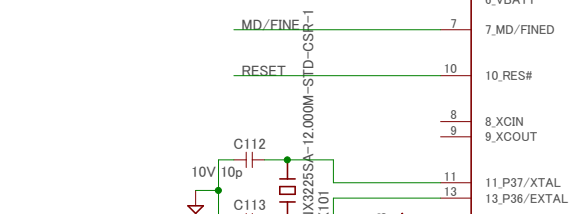
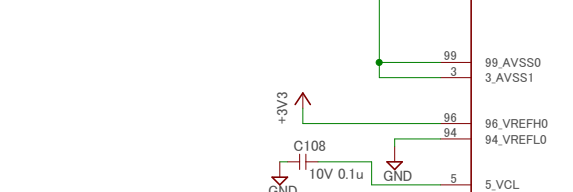
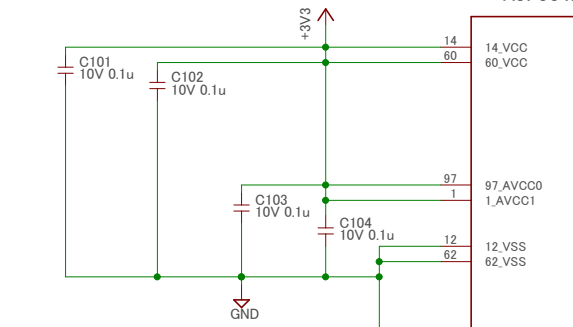
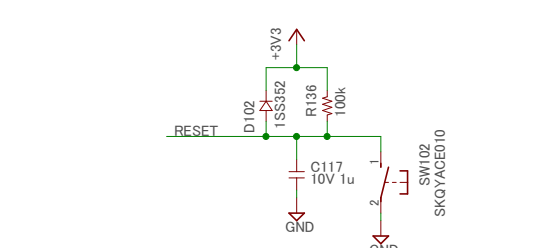
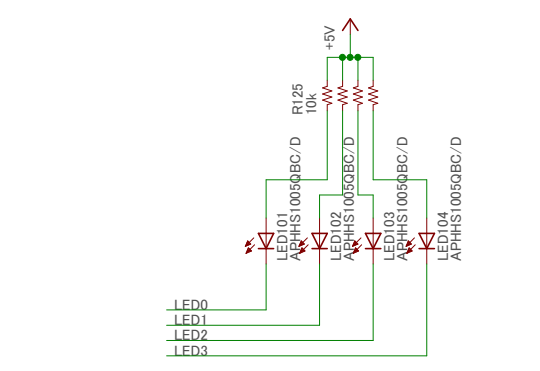
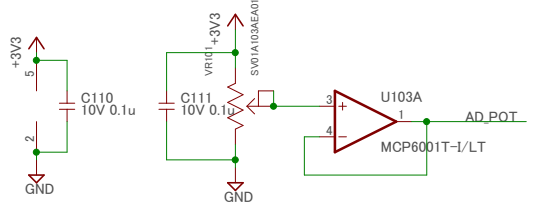
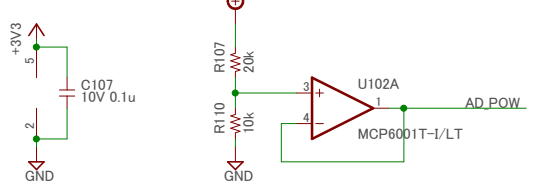
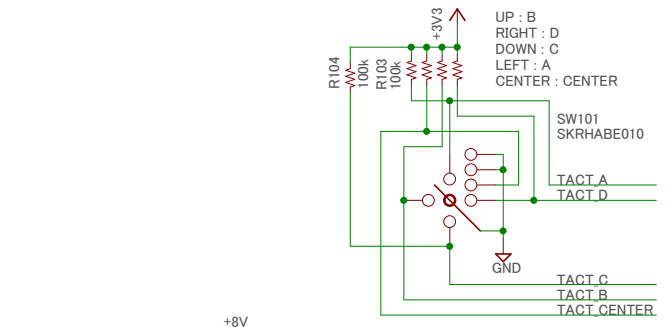


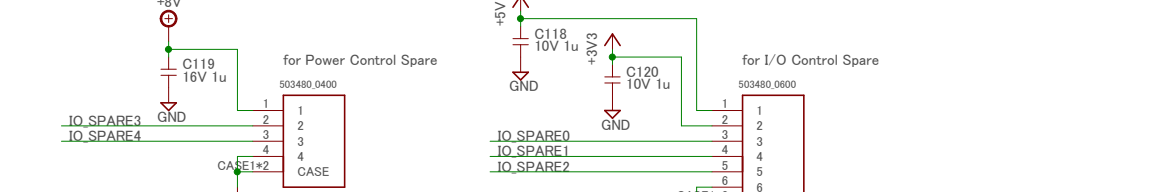
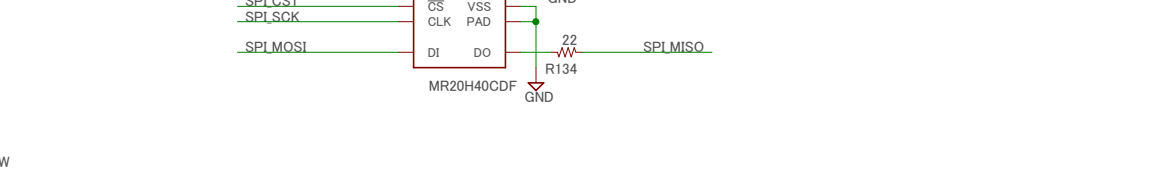
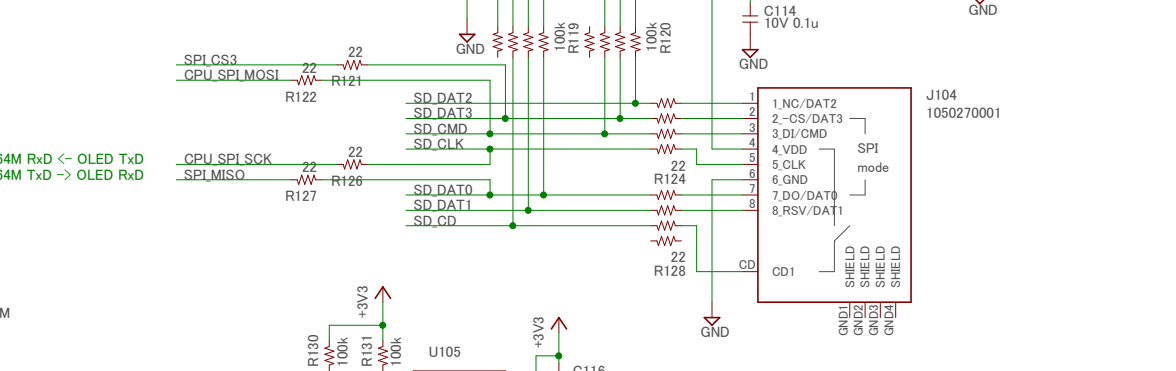
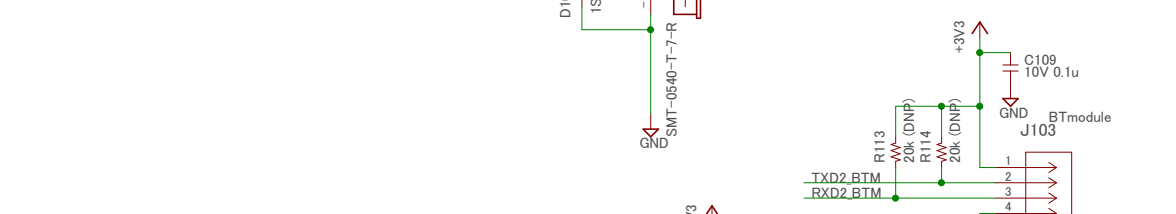
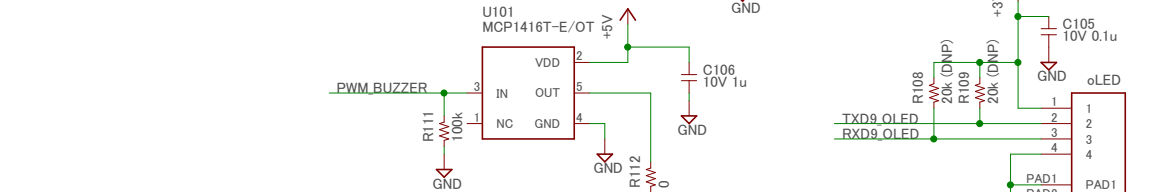
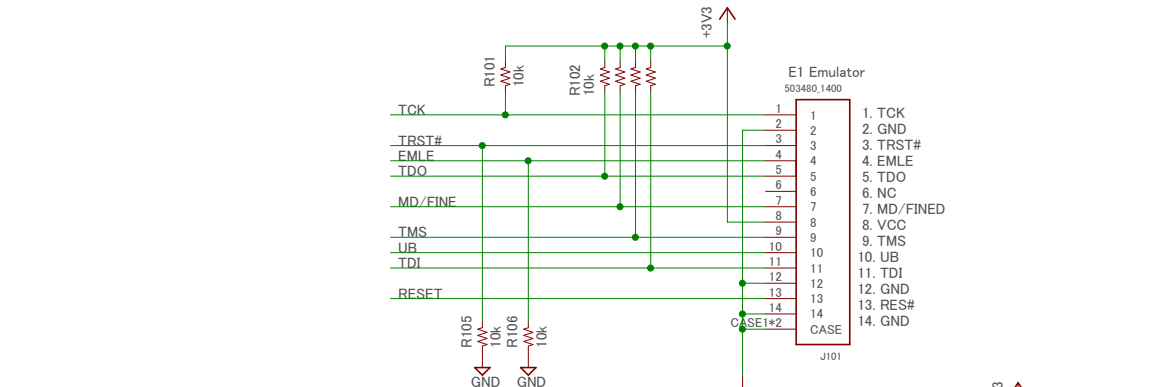
U104

R5F564MLDDFP#V1-ND

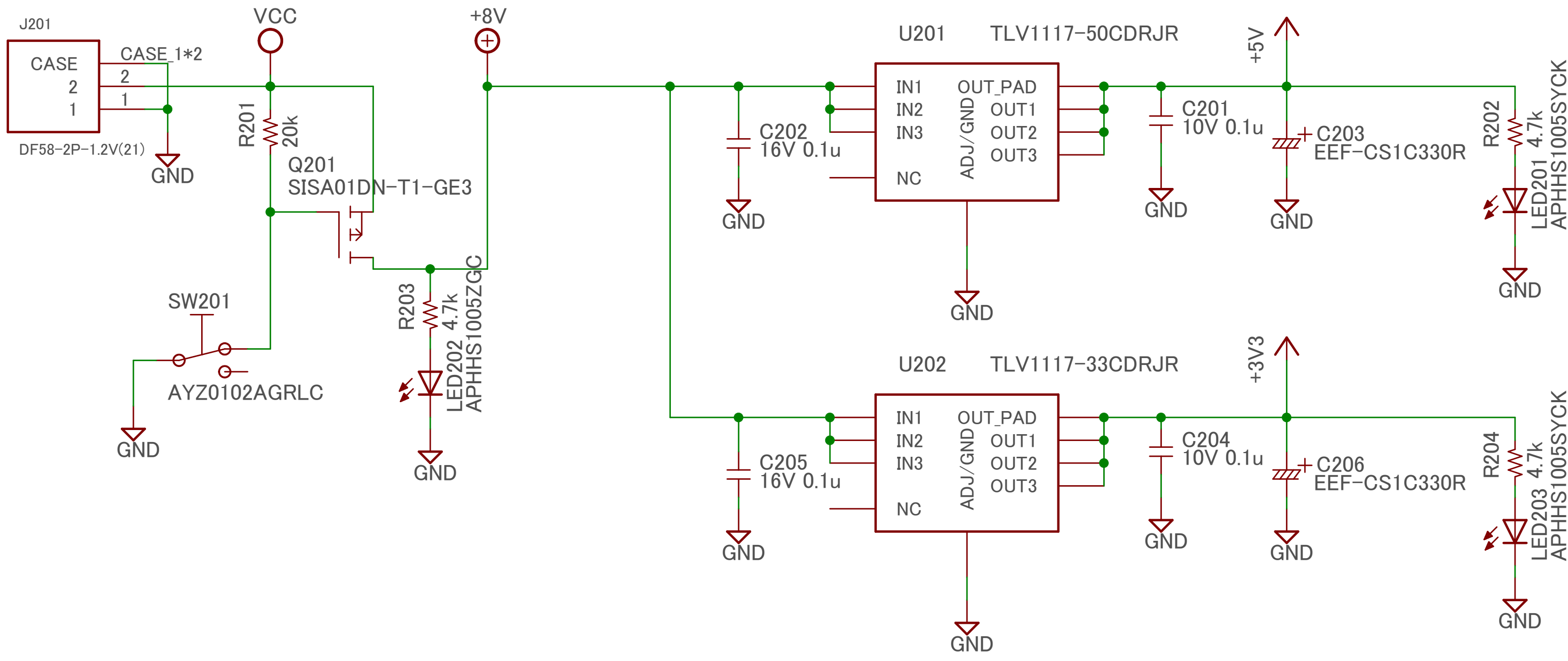


14	VCC	60	VCC	44	P50	44	TXD2_BTM
60	VCC	60	VCC	43	P51	43	RXD2_BTM
97	AVCC0	1	AVCC1	42	P52	42	SCK2_BTM
1	AVCC1	1	AVCC1	41	P53	41	IO_SPARE2
12	VSS	62	VSS	40	P54/TRDATA2	40	IO_SPARE1
62	VSS	62	VSS	39	P55/TRDATA3	39	IO_SPARE0
99	AVSS0	3	AVSS1	70	PA0	70	SPL_CS1
3	AVSS1	3	AVSS1	69	PA1	69	G_INT
96	VREFH0	94	VREFL0	68	PA2	68	SPL_CS3
94	VREFL0	94	VREFL0	67	PA3	67	G_FSYNC
5	VCL	5	VCL	66	PA4	66	SPL_CS0
2	EMLE	2	EMLE	65	PA5	65	SPL_CS2
6	VBATT	6	VBATT	64	PA6	64	SPL_MOSI
7	MD/FINED	7	MD/FINED	63	PA7	63	SPL_MISO
10	RES#	10	RES#	61	PB0	61	SENSOR_MOTOR_CW
8	XCIN	9	XCOUT	59	PB1	59	PWM_BUZZER
9	XCOUT	9	XCOUT	58	PB2	58	DRIVE_MOTOR_EN
11	P37/XTAL	13	P36/EXTAL	57	PB3	57	PWM_SUB
13	P36/EXTAL	13	P36/EXTAL	56	PB4	56	SENSOR_MOTOR_EN
35	VCC_USB	37	USBD_DP	55	PB5	55	SCK9_OLED
37	USBD_DP	36	USBD_DM	54	PB6	54	RXD9_OLED
36	USBD_DM	36	USBD_DM	53	PB7	53	TXD9_OLED
38	VSS_USB	38	VSS_USB	52	PC0	52	LED0
100	P05	100	P05	51	PC1	51	LED1
98	P07	98	P07	50	PC2	50	LED2
34	P12	34	P12	49	PC3	49	LED3
33	P13	33	P13	48	PC4	48	IO_SPARE4
32	P14	32	P14	47	PC5	47	IO_SPARE3
31	P15	31	P15	46	PC6	46	SENSOR_MOTOR_PWM
30	P16	30	P16	45	PC7/UB	45	UB
29	P17	29	P17	88	PD0	88	LEFT_MOTOR_CCW
28	P20	28	P20	85	PD1	85	LEFT_MOTOR_CW
27	P21	27	P21	84	PD2	84	SD_DAT2
26	P22	26	P22	83	PD3	83	SD_DAT3
25	P23	25	P23	82	PD4	82	SD_CMD
24	P24	24	P24	81	PD5	81	SD_CLK
23	P25	23	P25	80	PD6	80	SD_DAT0
22	P26/TDO	21	P27/TCK	79	PD7	79	SD_DAT1
21	P27/TCK	21	P27/TCK	78	PE0	78	RIGHT_MOTOR_CCW
20	P30/TDI	19	P31/TMS	77	PE1	77	LEFT_MOTOR_PWM
19	P31/TMS	18	P32	76	PE2	76	RIGHT_MOTOR_PWM
18	P32	17	P33	75	PE3	75	RIGHT_MOTOR_CW
17	P33	16	P34/TRST#	74	PE4	74	SENSOR_MOTOR_CCW
16	P34/TRST#	15	P35/UPSEL#NMI	73	PE5	73	
15	P35/UPSEL#NMI	95	P40	72	PE6	72	SD_CD
95	P40	93	P41	71	PE7	71	SD_WP
93	P41	92	P42	4	PJ3	4	
92	P42	91	P43				
91	P43	90	P44				
90	P44	89	P45				
89	P45	88	P46				
88	P46	87	P47				
87	P47						

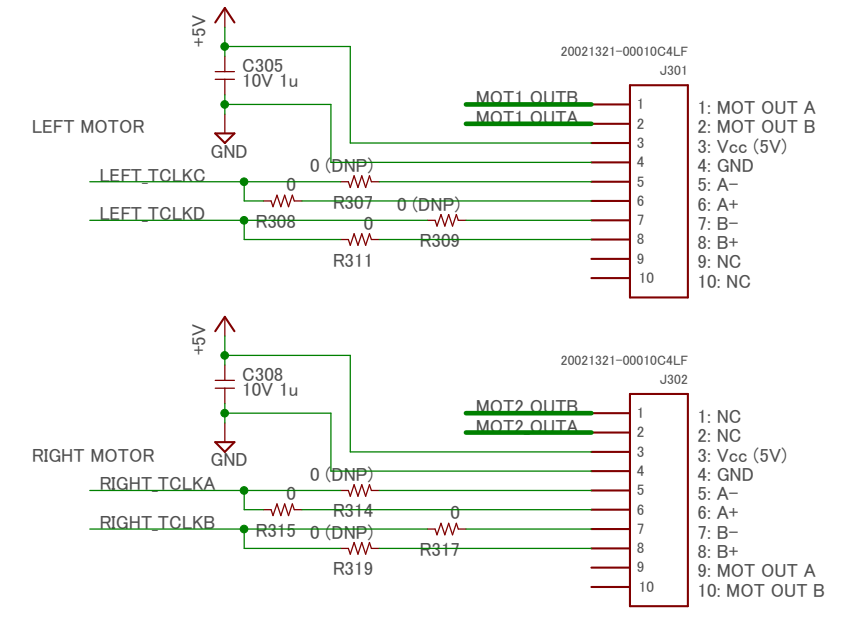
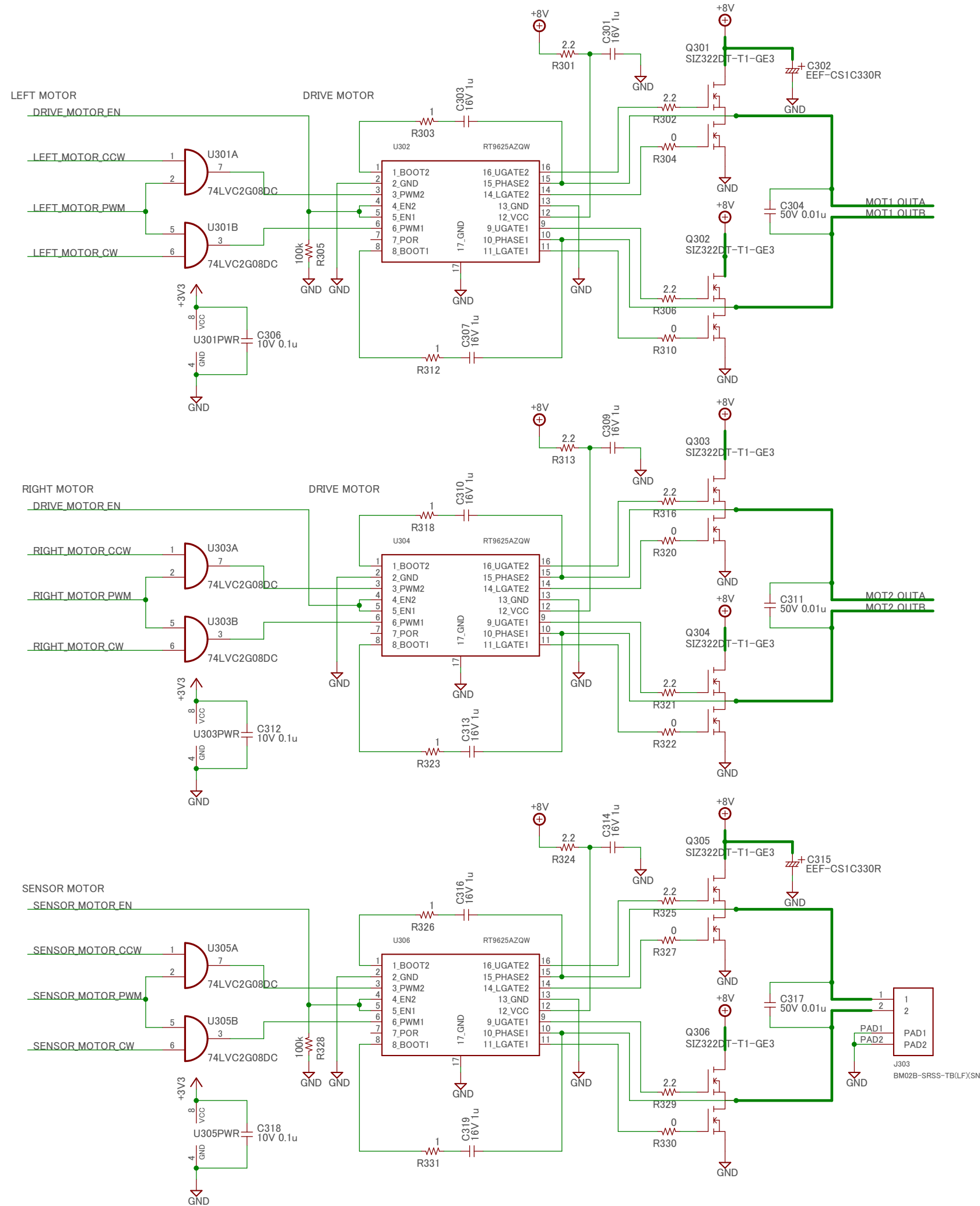
1	TCK	1	TCK
2	GND	2	GND
3	TRST#	3	TRST#
4	EMLE	4	EMLE
5	TDO	5	TDO
6	NC	6	NC
7	MD/FINED	7	MD/FINED
8	VCC	8	VCC
9	TMS	9	TMS
10	UB	10	UB
11	TDI	11	TDI
12	GND	12	GND
13	RES#	13	RES#
14	GND	14	GND
1	TCK	1	TCK
2	GND	2	GND
3	TRST#	3	TRST#
4	EMLE	4	EMLE
5	TDO	5	TDO
6	NC	6	NC
7	MD/FINED	7	MD/FINED
8	VCC	8	VCC
9	TMS	9	TMS
10	UB	10	UB
11	TDI	11	TDI
12	GND	12	GND
13	RES#	13	RES#
14	GND	14	GND
1	NC/DAT2	1	NC/DAT2
2	CS/CMD3	2	CS/CMD3
3	DI/CMD	3	DI/CMD
4	VDD	4	VDD
5	CLK	5	CLK
6	GND	6	GND
7	DO/DAT0	7	DO/DAT0
8	RSV/DAT1	8	RSV/DAT1
1	NC/DAT2	1	NC/DAT2
2	CS/CMD3	2	CS/CMD3
3	DI/CMD	3	DI/CMD
4	VDD	4	VDD
5	CLK	5	CLK
6	GND	6	GND
7	DO/DAT0	7	DO/DAT0
8	RSV/DAT1	8	RSV/DAT1
1	NC/DAT2	1	NC/DAT2
2	CS/CMD3	2	CS/CMD3
3	DI/CMD	3	DI/CMD
4	VDD	4	VDD
5	CLK	5	CLK
6	GND	6	GND
7	DO/DAT0	7	DO/DAT0
8	RSV/DAT1	8	RSV/DAT1



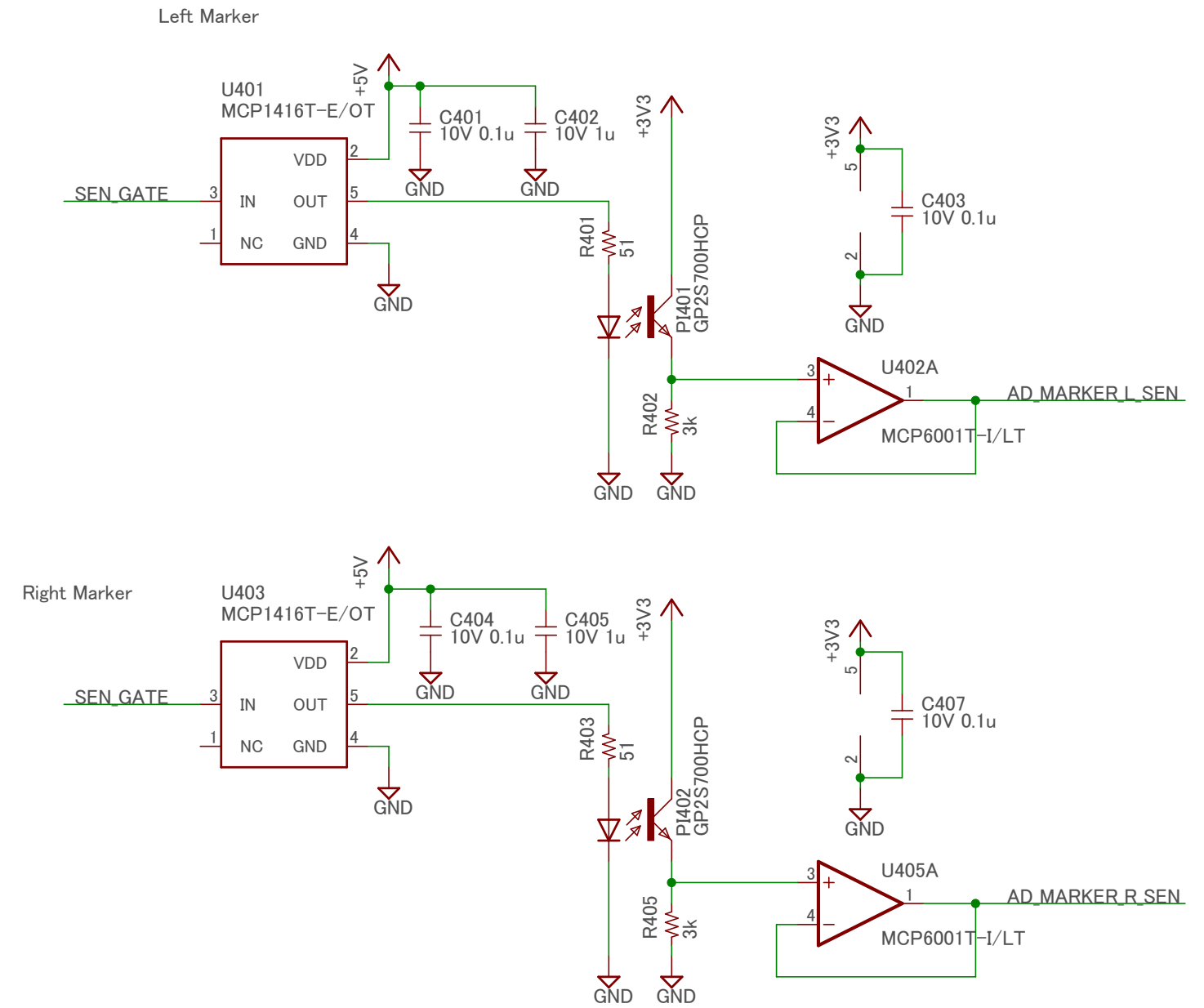
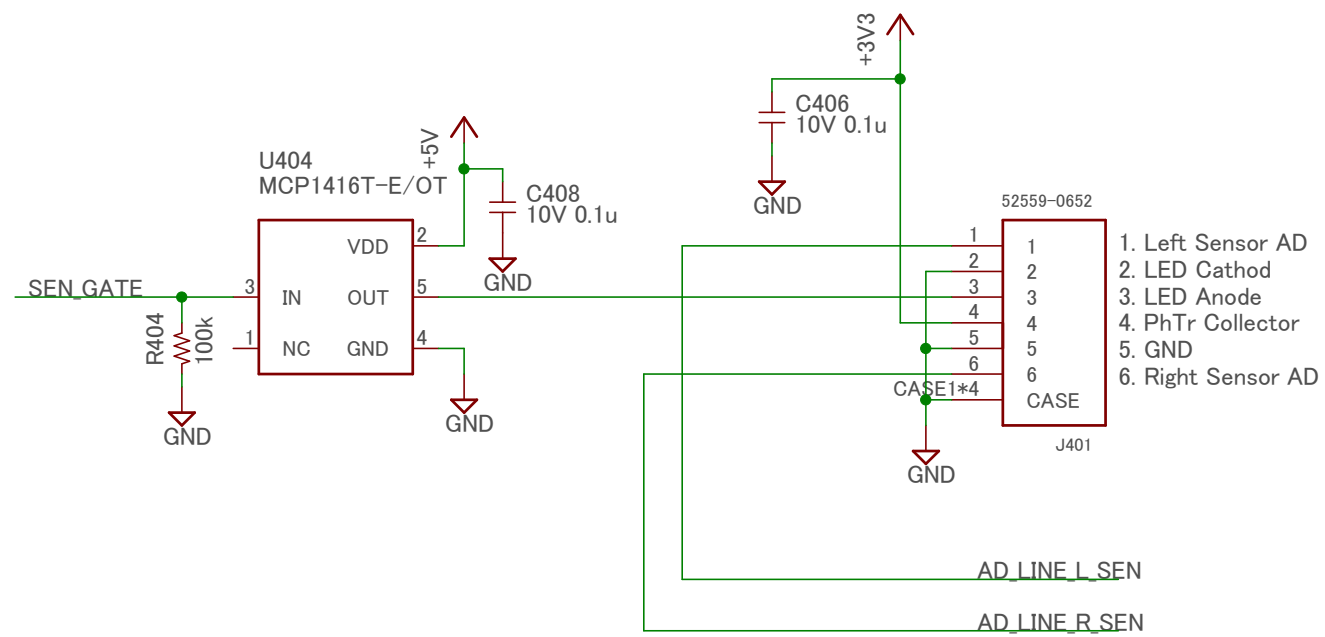
designed by S.Hirai



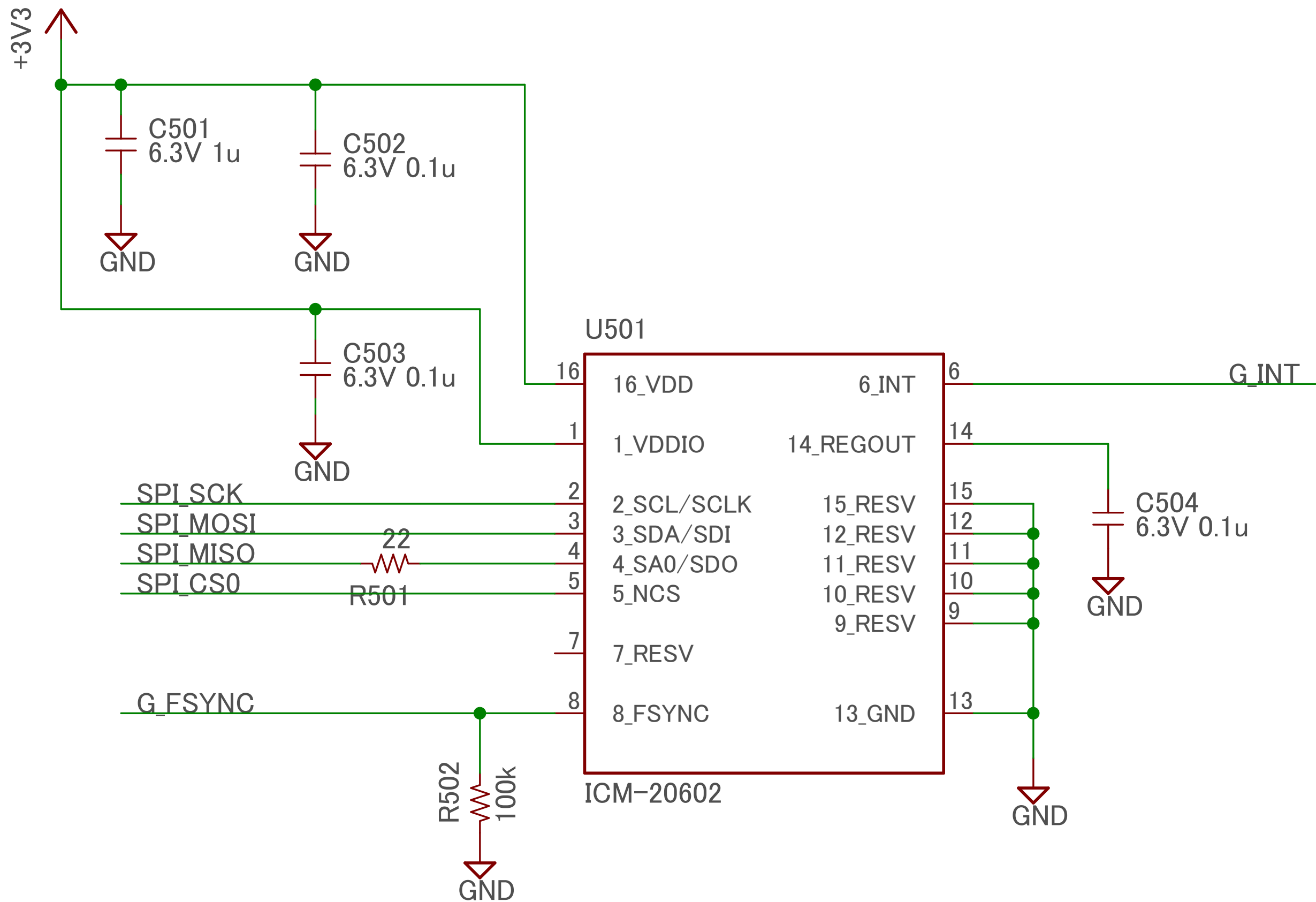
designed by S.Hirai



designed by S.Hirai



designed by S.Hirai



designed by S.Hirai